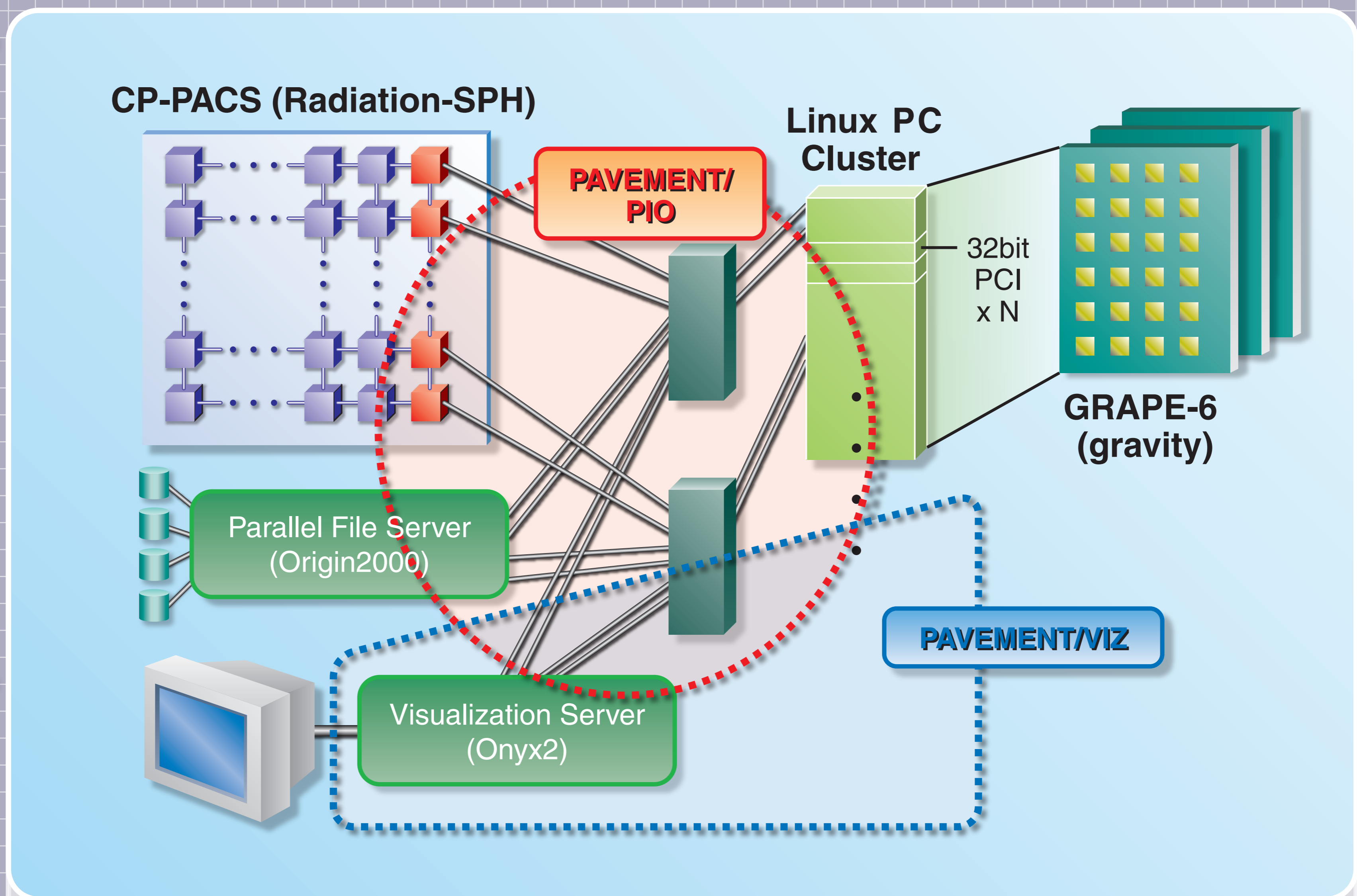




Heterogeneous Multi-Computer System



- ▶ **HMCS (Heterogeneous Multi-Computer System)** combines supercomputers for continuum simulation and multi-body simulation in a unified environment with high performance file server and parallelized visualization server.
- ▶ **PAVEMENT/PIO** provides high throughput data transfer among all components in HMCS via multiple commodity network. Communication latency is hidden by cooperative work among all supercomputers and servers.
- ▶ **PAVEMENT/VIZ** realizes very high speed data visualization on multiprocessor workstation. Especially, 3-D volume rendering engine is fully parallelized to obtain excellent scalability on multiprocessor.



Platform for Next Generation Multi-Scale Physics Simulation
Protein Simulation, Astrophysics, Material Science, etc.